



# FOSHAN SUNDE METAL MANUFACTURE CO.LTD

## RETRACTABLE PERGOLA - CATALOG

*A new generation of outdoor space solutions*

website: [www.sdmatal.cn](http://www.sdmatal.cn)  
E-mail : [info@sdmetal.cn](mailto:info@sdmetal.cn)  
T : 0086-199 2826 7031



# FOLDING PERGOLA

## Redefine the outdoor leisure space

Folding canopy is a new outdoor space expansion scheme. Special curtain through the motor drive belt movement in the aluminum alloy track, so as to achieve the opening and closing of the curtain, so that users freely enjoy the fun of outdoor space, while providing the function of shading and rain, replacing the traditional fixed ceiling awning and sun room, redefine the solution of outdoor space.

<b>Color</b>	Black grey/white, special customizable	<b>Cross bar interval</b>	450-500mm
<b>Material</b>	6063, aluminum alloy	<b>Lamp strip</b>	Silicone waterproof, 3000k brightness LED
<b>Dimension</b>	The maximum width of a single set is 5 meters, 7 meters out	<b>Rain protection</b>	Complete rain protection
<b>Surface</b>	High density powder coating, anodized	<b>Windproof</b>	Maximum resistance to Force 7 wind, 50-62km/h
<b>Motor</b>	Import, domestic optional, five years warranty	<b>Cloth</b>	Heavy PVC, imported domestic optional



**Garden Essentials**



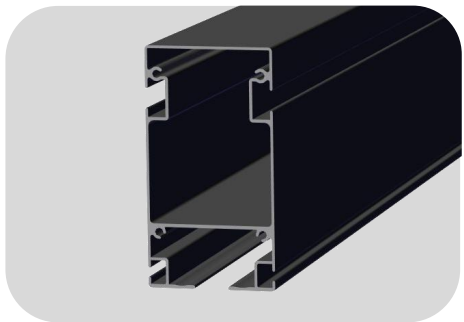
### Electric control Remote control

The use of the industry's well-known high-performance silent tubular motor to control the opening and closing of the sky curtain, multi-channel wireless remote control with one button control, a switch can control multiple modules, can cooperate to control the lamp belt and supporting windproof curtain.

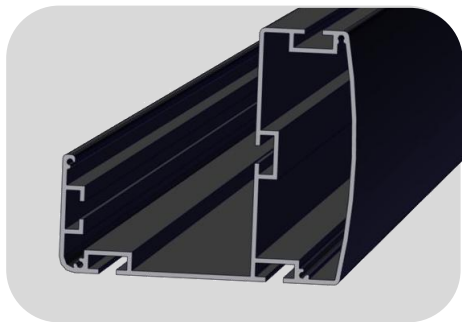


### Alloy structural Functional fabric

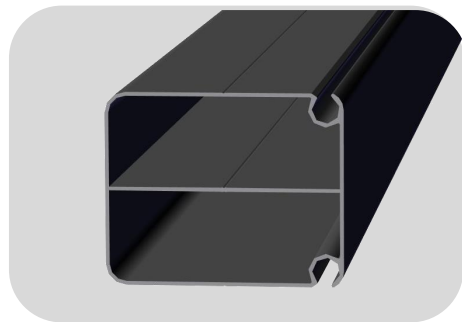
Canopy frame structure is made of high quality aluminum alloy, durable corrosion resistance, no rust; The key curtain fabric is made of heavy PVC design, 3D drill design anti-scratch anti-tear, surface with self-cleaning coating, anti-fouling and easy to clean.



Guide rail: 130x70x2.2mm



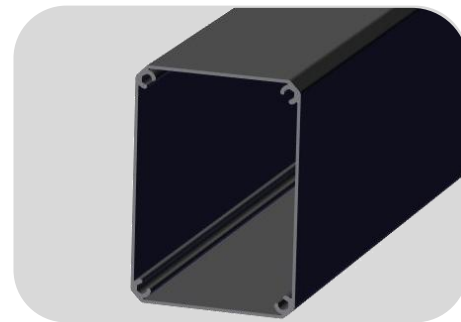
Water tank: 150x130x2.5mm



Large cloth rod: 80x65x1.3mm



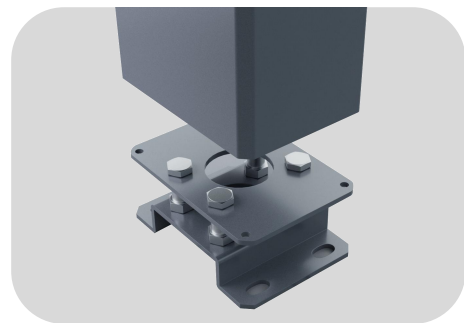
Small cloth rod: 39x65x1.3mm



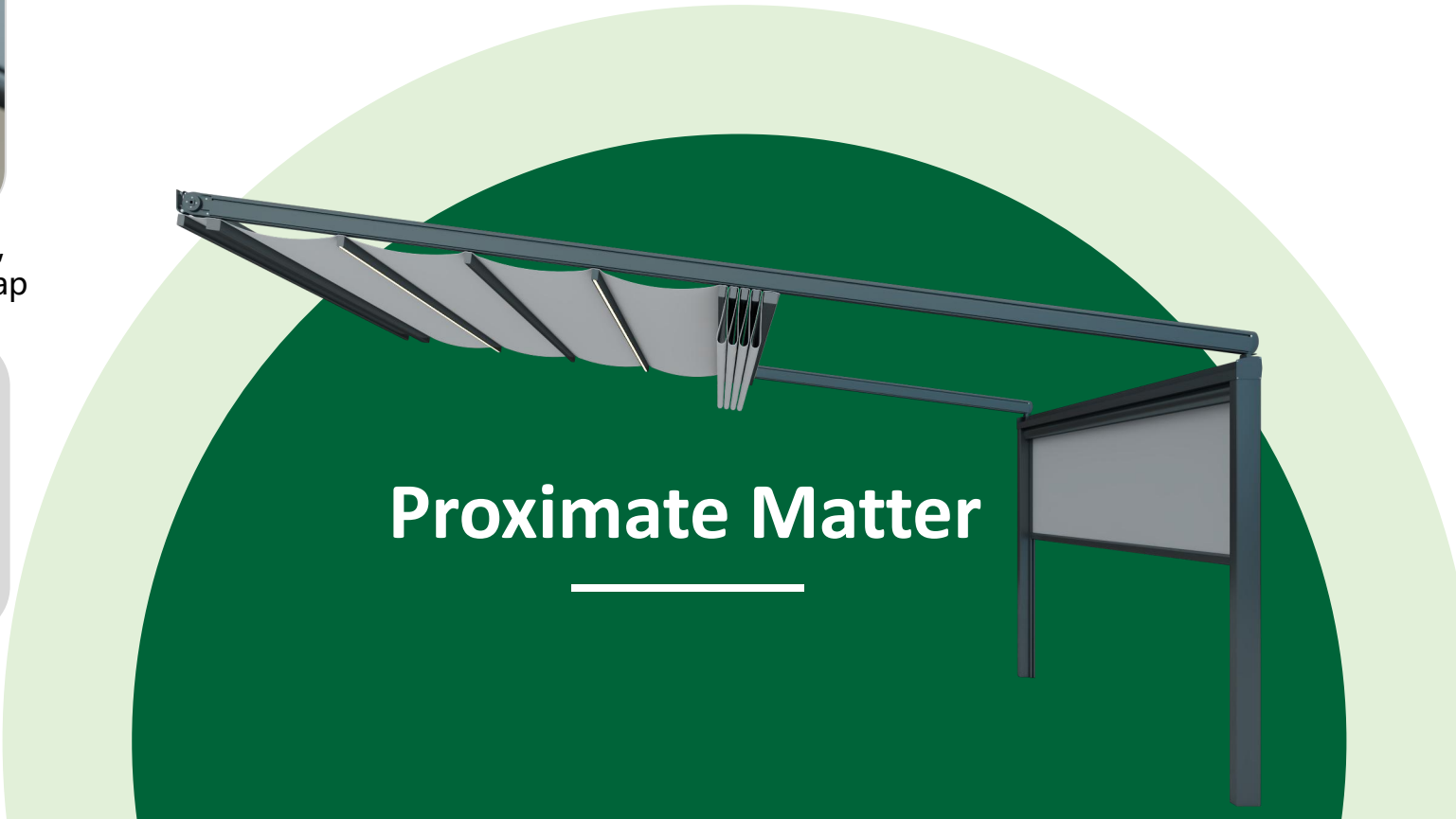
Column: 144x102x2.0mm



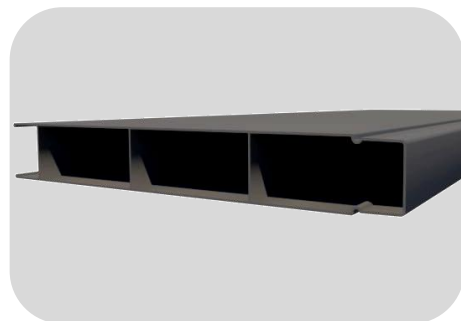
Light belt: 3000K brightness, silicone waterproof hose wrap



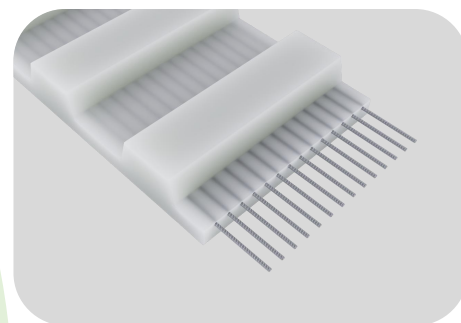
Base: double layer connection, more stable; Hidden design, the appearance is more concise and beautiful



# Proximate Matter



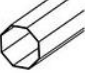
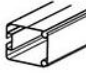


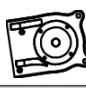



















Baffle plate: 110x13x0.5mm

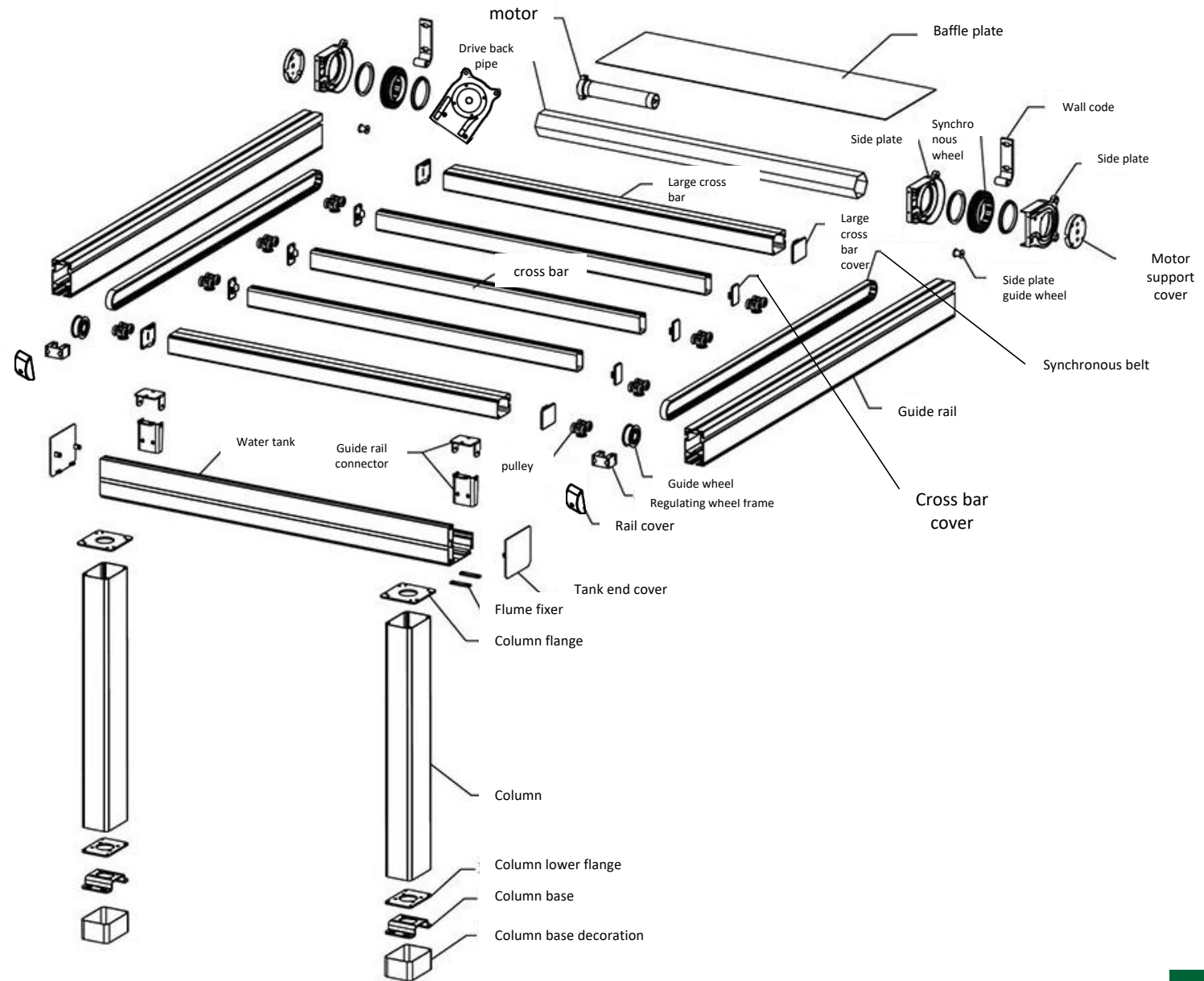


Synchronous belt: embedded 14 steel wire



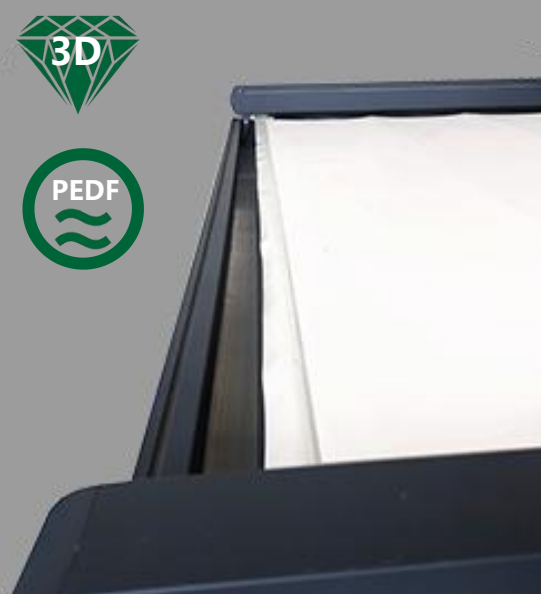
# Parts list and product parts drawing

	Drive back pipe		Large cross bar		cross bar
	Guide rail		Side plate		Synchronous wheel
	Wall code		Side plate guide wheel		Rail cover
	Guide wheel		Regulating wheel frame		pulley
	Large cross bar cover		Cross bar cover		Water tank
	Column		Column flange		Column lower flange
	Column base		Column base decoration		Tank end cover
	Guide rail connector		Synchronous belt		motor



## Aluminum alloy structure

The product structure is 6063 aluminum alloy material  
Open molding, light weight  
High strength, corrosion resistance, longer service life;  
All structural profiles shall be widened and thickened  
Exceeding most peer standards in the industry



## Heavy PVC fabric

Fabric using heavy 850g/m<sup>2</sup>  
3D drilled PVC fabric  
Wear resistance, folding resistance, durable, puncture resistance, high tensile strength, no fear of hard objects impact  
Double-sided with PEDF self-cleaning coating  
Stains do not remain, rain wash automatic cleaning  
High shading, heat insulation, waterproof and corrosion resistance, fabric flame retardant coefficient up to the European standard B1, in case of fire does not support combustion



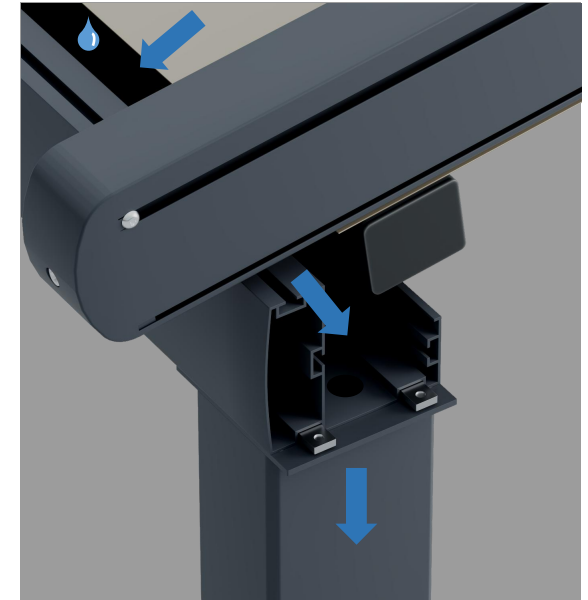
## Powder spraying

The profile surface is all used Polycrystalline diamond composite sheet (PDC), plastic, resin mixed high density powder spraying, Make the material surface no corrosion, maintenance free, safe and environmental protection  
Formaldehyde-free, acid-proof and alkali-proof for 20 years



## Hidden drainage

The rain flowed through the curtain into the trough  
There are rubber water retaining strips on both sides of the guide rail  
Prevent rain from leaking from both sides  
Rainwater flows through the trough into the column drain hole  
Finally, it flows out from the bottom of the column



## 304 stainless steel

Hardware accessories and screws are selected 304 stainless steel  
High strength, corrosion resistance, good performance  
Durable and not easy to rust



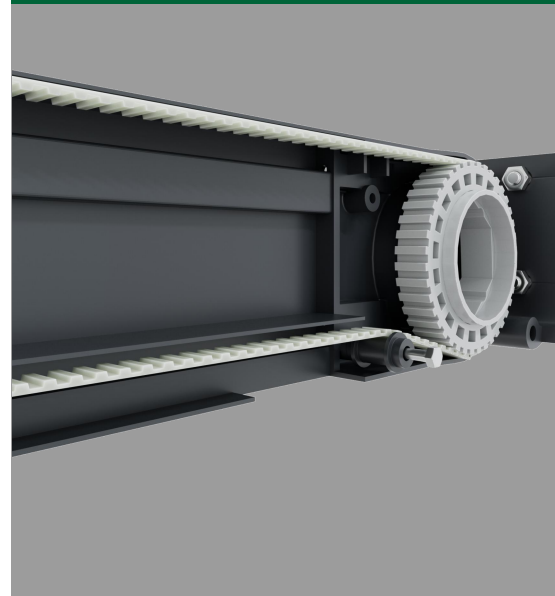
## Precision NC machining

All mechanical parts, profile opening processing are used  
Aluminum alloy CNC machine precision machining  
Precise size and easy assembly



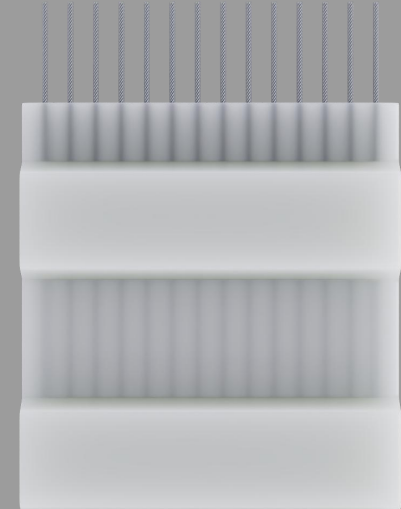
## Reliable transmission structure

The transmission part uses custom high performance tubular motor  
Drive the integrated forming transmission gear, the use of high strength synchronous belt and closed silent bearing to match the movement,  
Smooth operation and low noise,  
The transmission parts have good wear resistance and low friction coefficient  
Corrosion resistance, oxidation resistance, long service life



## High strength synchronous belt

The synchronous belt is embedded with polyurethane  
14 high strength steel wires  
Smooth transmission, cushioning and damping  
Wear resistance and aging resistance, low noise and high intensity  
The operating temperature range can reach -20°C-80°C



## Shade by day, light by night

The folding ceiling can be optionally equipped with a high brightness waterproof light belt, a flexible silicone wrapped light belt, waterproof and non electric leakage, and a 3000K high brightness energy-saving LED lamp, During the day, it can provide you with shade and rain protection, and at night, it can also provide you with light. You can enjoy outdoor leisure time anytime and anywhere.



# Product Photos





# Product Photos



# Product Photos



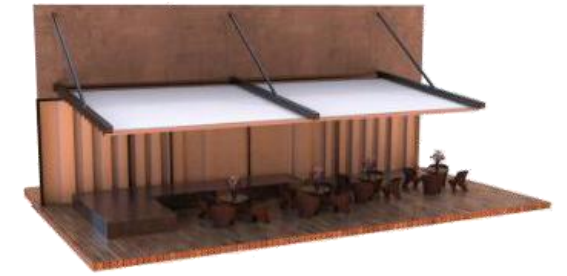




Column supported (single group)



Column support type (double assembly)



Pitman type



Wall support type (single group)



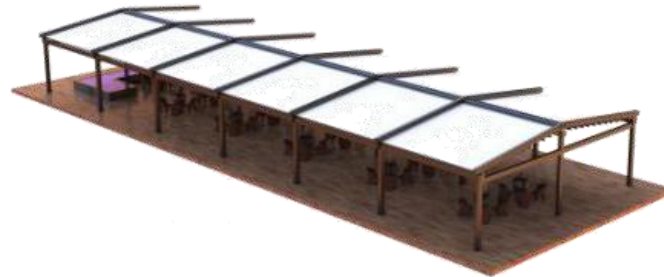
Wall support type (double combination)



Card wall type



Herringbone column support type



Multiple assembly of herringbone column

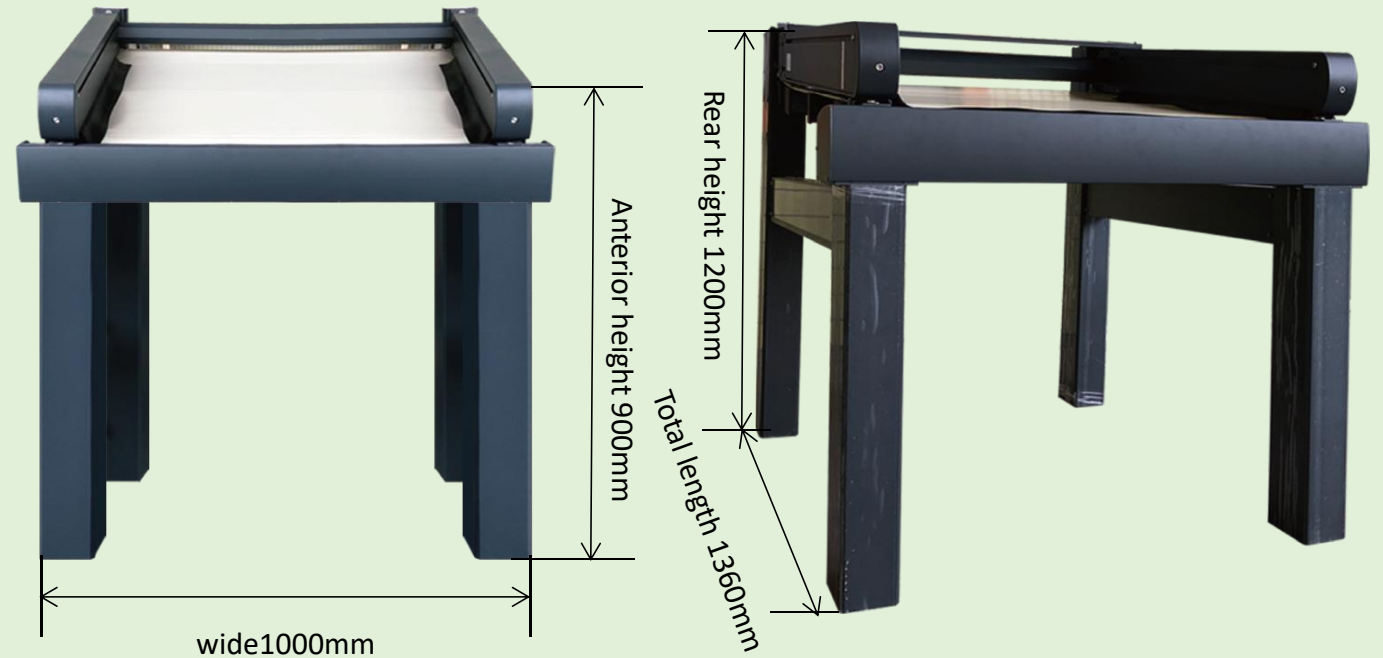


Steel structure support hoisting

# Installation Method

## Proportional sample

- Small floor area, about 1 m<sup>2</sup>
- Full function, including motor, light belt, remote control
- Full visual display for easy explanation
- Convenient assembly and cost saving
- Increase transaction rate





## Inclined pull rod hoisting type

Lifting without columns, does not occupy ground space

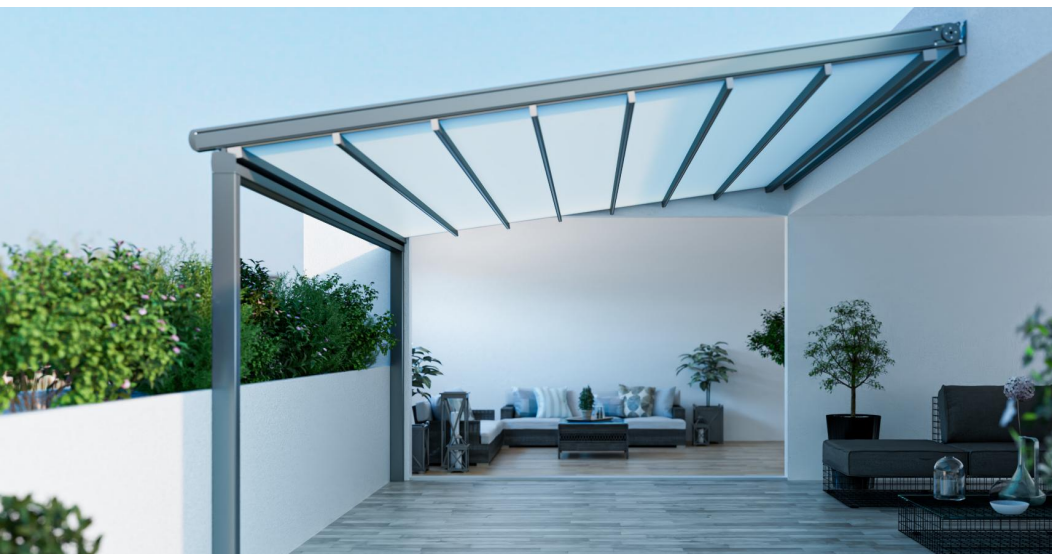
Do not damage the original landscape design

Adjustable inclination



## Wall support type

Double columns supported against the wall, extending continuously in space  
Suitable for high-rise terrace, outdoor restaurant, villa courtyard





## Steel structure support hoisting

Suitable for large-scale outdoor dining, outdoor activity venues, and temporary construction of venues

Space applications such as marketing exhibitions, press conferences, wedding banquets, factory building expansion, building rooms and corridors







## Column supported type

---

Convenient installation, stable structure, and wind proof roller shutter, aluminum shutter, sliding door window, etc. can be installed around  
Suitable for villa courtyards, rooftops, terraces, outdoor swimming pools, outdoor dining, and other spaces



THANK YOU